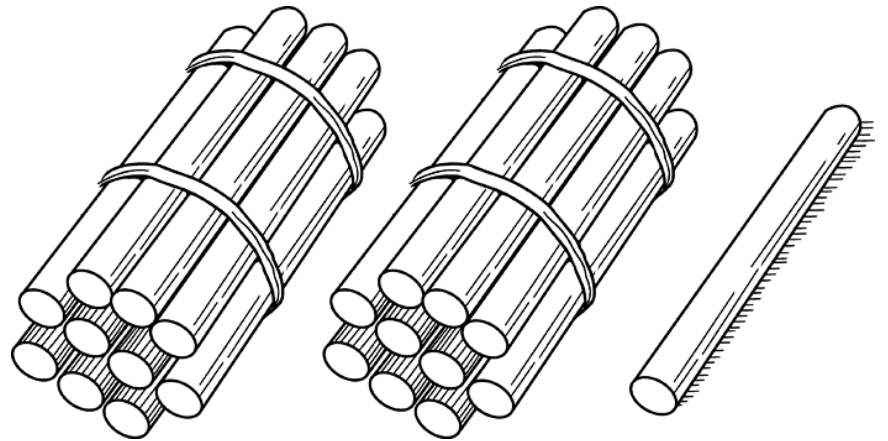


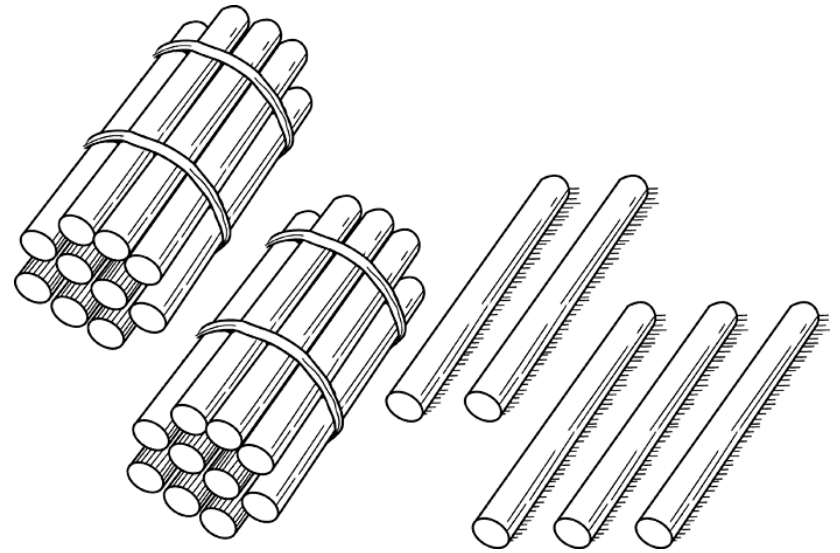
2 tens

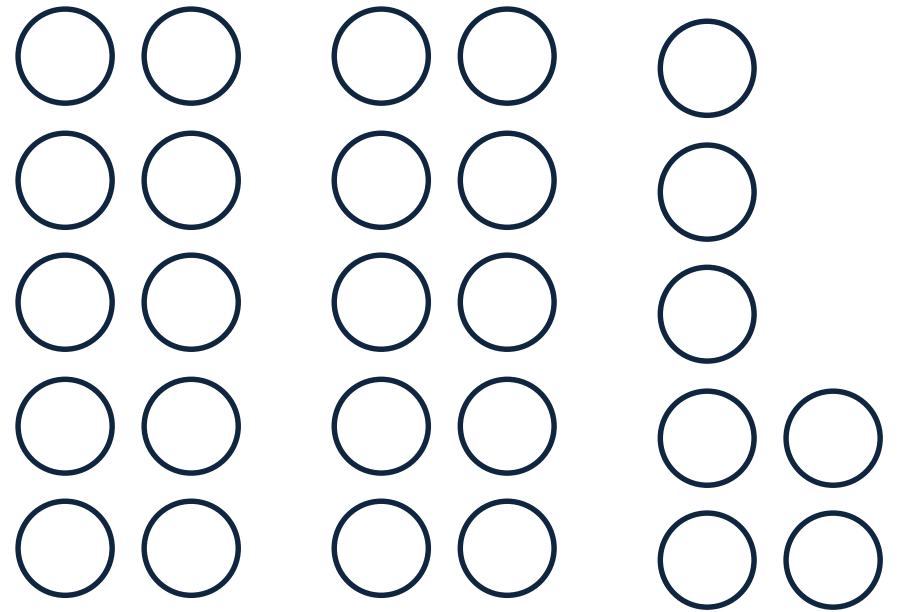
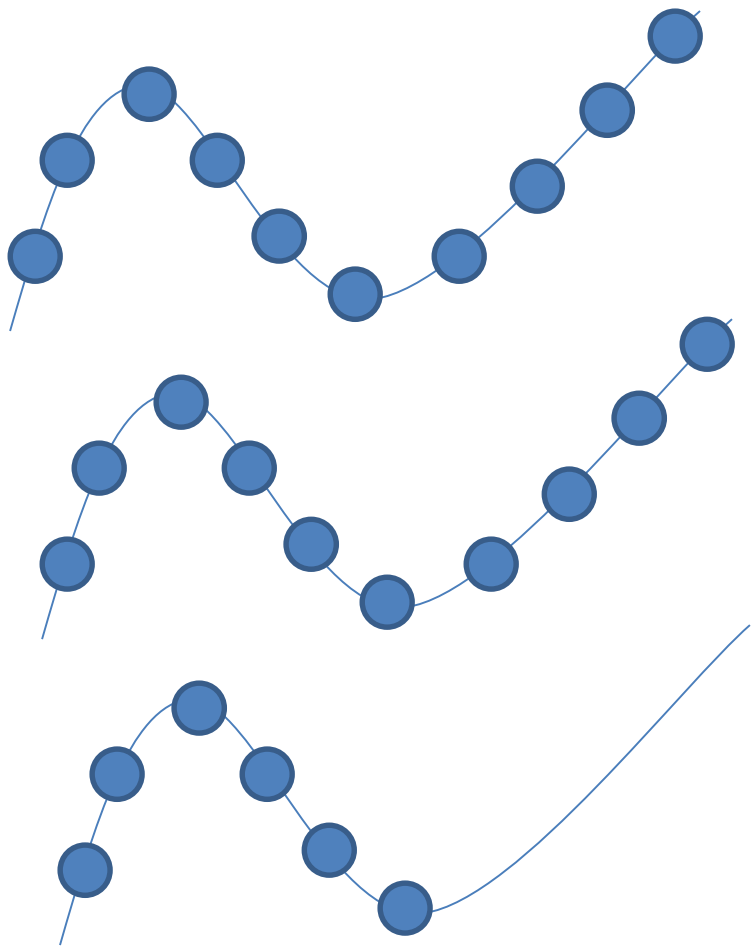


22

twenty-
three

**2 tens
and
4 ones**

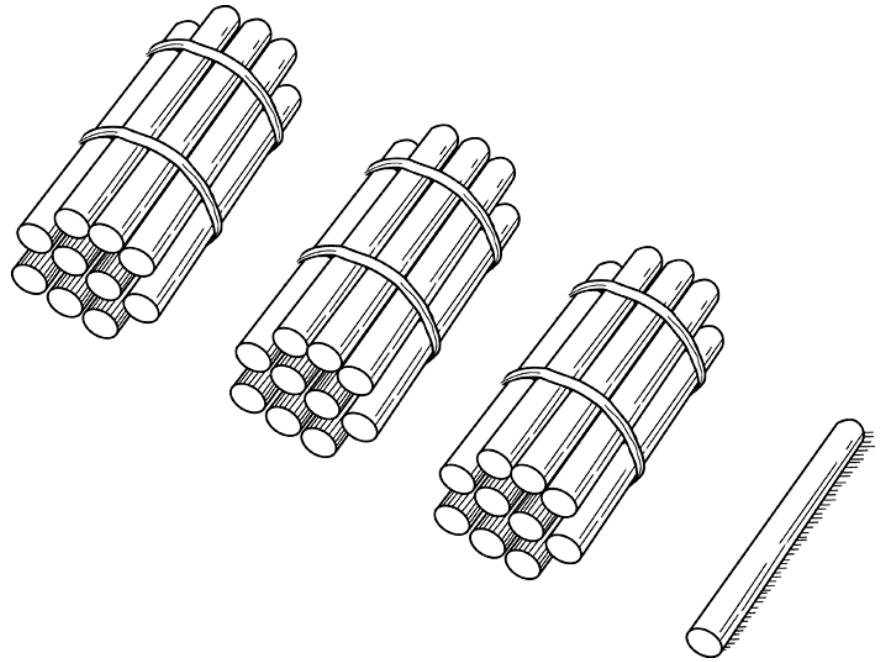




twenty-
eight

29

3 tens



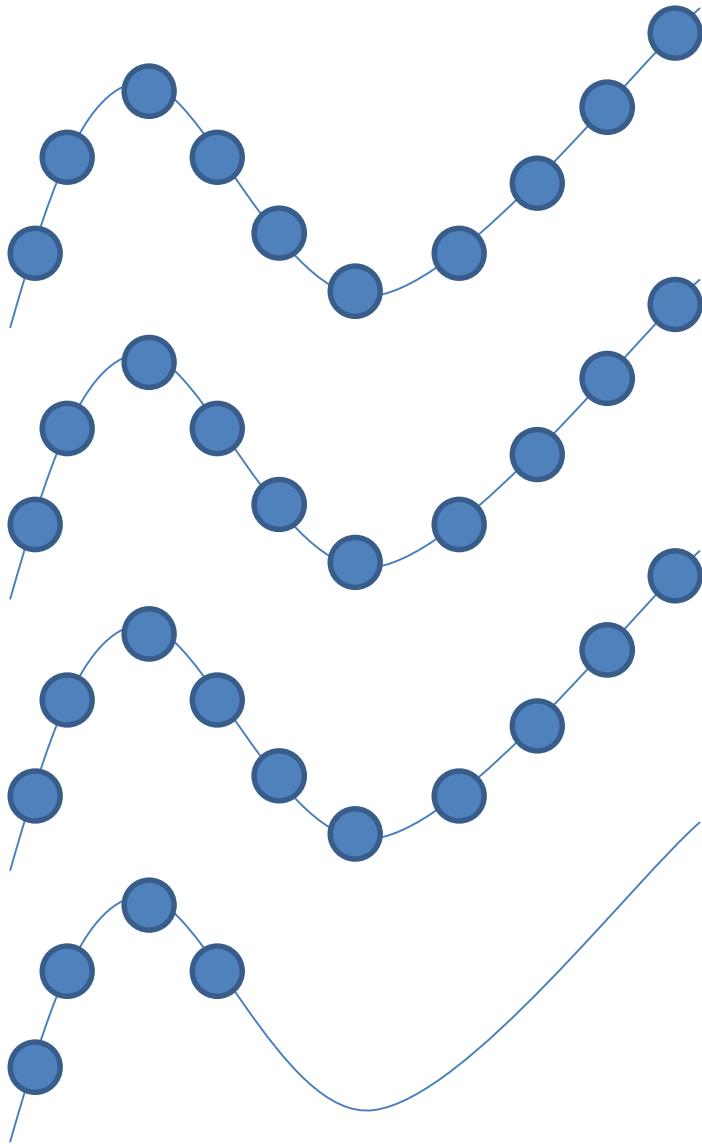
3 tens

and

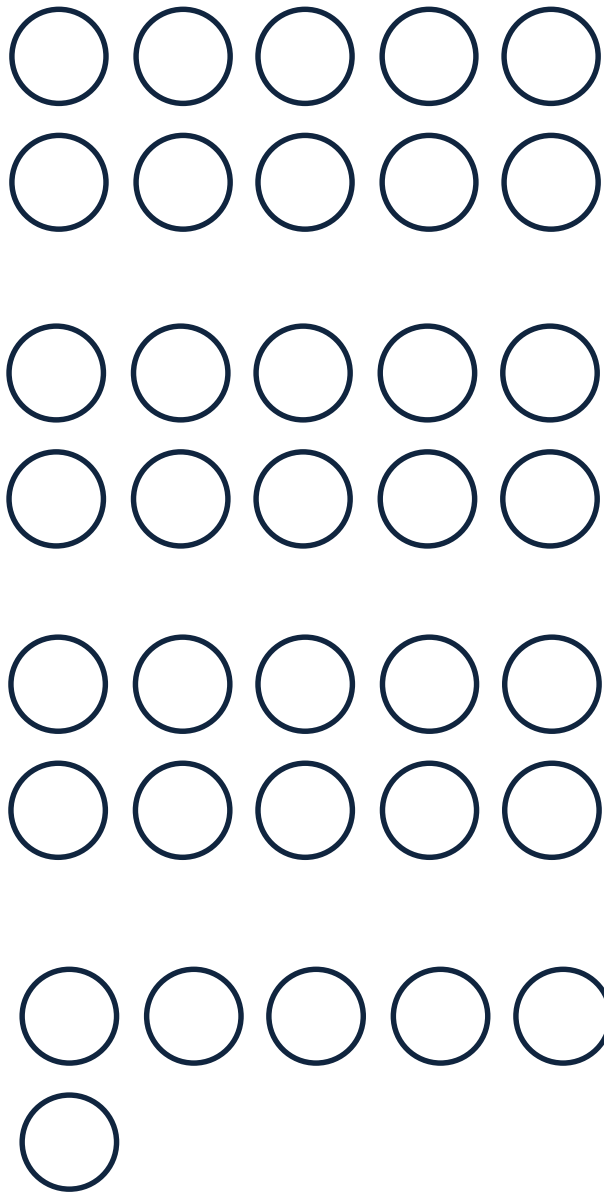
2 ones

thirty-

three



35



37

ones

38

3 tens

and

9 ones

forty

19